


FIRST TIME SETUP


Powering up the System

1. When vehicle power is applied to the system, the POWER and HOME buttons on the monitor will flash RED/BLUE for approximately 12 to 15 seconds and then the buttons will remain solid RED. This is normal and a notification that the system is booting up. Once the POWER and HOME buttons are solid RED, you can press the POWER button to turn on the monitor.


Wi-Fi

1. Press the  Setup icon to open the Settings Menu.
2. Toggle the WIFI to "ON".
3. Press WIFI to show available networks.
4. Select the WIFI network you would like to connect to and use the touchscreen keyboard to enter the password.
5. Press the green check mark to connect. The system will remember and automatically reconnect to any saved available networks (maximum of 10).


Wireless Headphones

1. To use the wireless headphones, press the  Setup icon to open the settings menu.
2. Select "IR TRANSMITTER" and toggle the switch to "ON".

Downloading Apps on the System Monitors

1. Select the  apps icon from the main menu.
2. Open the "Play Store" application, preloaded on the system. You will need to create or sign in with your Google account.
3. Browse the Google Play Store and download the applications you wish to the system monitor.

Voxx Link

1. Go to the Google Play Store or iTunes Store and download the free Voxx Link application for your Smart Device.
Your Smart Device must be connected to the same WIFI network as the System Monitors for the Voxx Link app to function.
2. Press the  Setup icon to open the settings menu.
3. Select "VOXX LINK" from the menu on the left. This will enable the feature.
4. Open the application on your mobile device and select the monitor you wish to control (example: OVA10_xxx). Once selected, the Monitor's screen will display on your mobile device, allowing full control of the Monitor.

NOTE: This Voxx Link application is designed to allow a remote user (ie. Parent) that does not have direct visibility to control the monitor.

Scan the QR Codes below to download the Voxx Link application.

iTunes Store



Google Play Store



QUICK START GUIDE

10.1" OVERHEAD IN-VEHICLE ENTERTAINMENT SYSTEM

Congratulations on the purchase of your In-Vehicle Entertainment System!

This Quick Start Guide is a brief tutorial allowing you quick access to enjoying your new system. You will find the system very user friendly and intuitive but in the event you need further information on how to operate your system, please go to the following URL to review or download the complete Operation Manual:

www.voxxintl.com/overheadOM

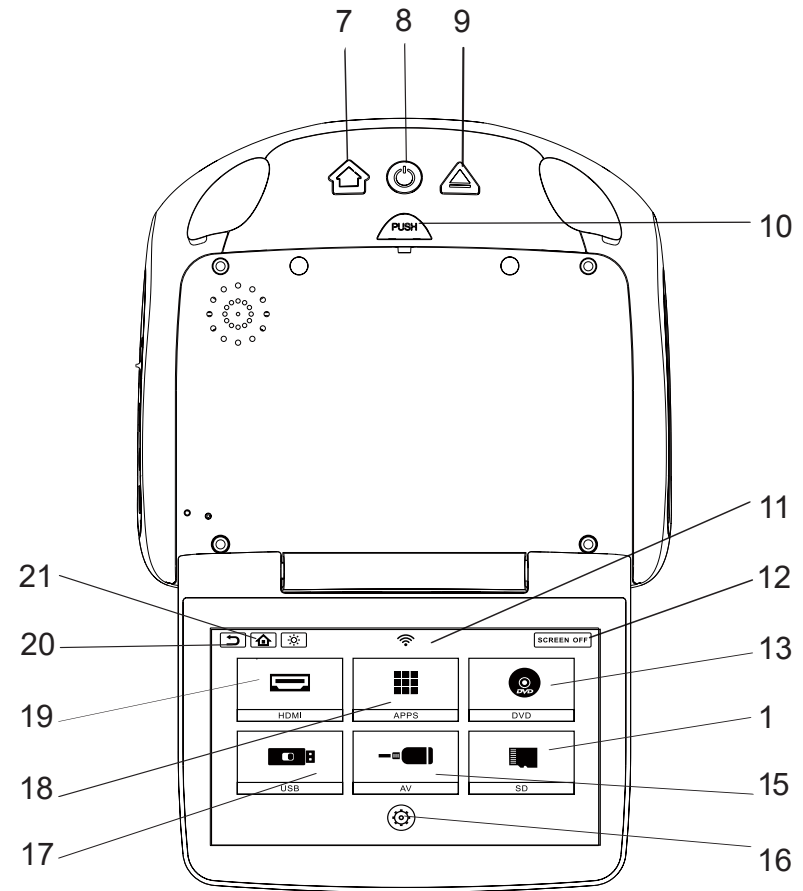
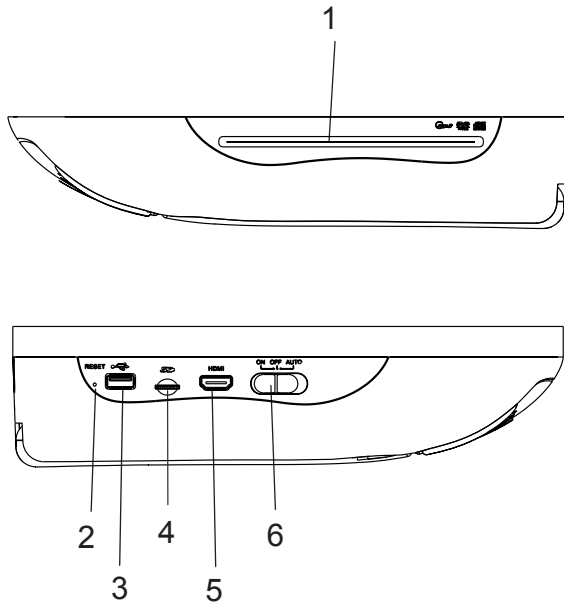
SYSTEM FEATURES:

- **DVD Player** – Plays DVDs, CDs, MP3 discs
- **HDMI Input** – Connect HDMI Devices such as Smart Phones or Game Consoles
- **Micro SD Input** – Media Playback of Videos, Music, Photos
- **USB Input** – Media Playback of Videos, Music, Photos, and Charging Support for USB based devices
- **Apps** – Download apps from the Google Play Store (Google Play Store, Google Chrome, Netflix, and Disney Plus preloaded)
- **Setup:**
 - **Wi-Fi** - Connect to an In-Vehicle Wi-Fi Hotspot or other Wi-Fi Hotspot (ie. Smart Phone) for full functionality of the system
 - **Voxx Link** - Allows Wi-Fi pairing of an Android or iOS based Smart Device to the System Monitors allowing full system remote control and monitoring of the System Monitors from anywhere in the vehicle. **Voxx Link app required*
 - **WFMM** - Built-In 100 Channel Wireless FM Transmitter to broadcast Audio from a System Monitor to a Vehicle's Audio System. **Must choose 1 monitor*
 - **IR Transmitter** - 2 Channel Wireless Headphone Transmitter
 - **Language** - Select system language: English, Spanish, French, Chinese, or Japanese
 - **About Device** - System Info and Update Tools
 - **Reset** - Resets the System Monitor to Factory Default



700078

CJ5%\$ OVERVIEW WITH DVD PLAYER



- **DVD Player** ~~6ORW0DV9M03GLVFV~~
 - **5HVHW5HERRVWVKH0RQLWRU**
 - **86QSW** □ **RU860HGLD3ODEDFNDQGKDULQ6SSRUW**
 - **Micro SD Card Input** ~~RU60HGLD3ODEDFN~~
 - **0QSW** □ **RQQHEW0HYLFHVVEKDV6PDUW3KRQHVRU** □ **DPHRQVROHV**
 - **7KUH3RVLWLRQRPH/LKW6LWF** ~~112DQG872~~
 - **RPH5HWUQVWRRPH6FUHHQ**
 - **3RHU 7UQVWKH0RQLWRU2Q2II**
 - **MHFVWWRQMHFWD9RU03GLVF** □
 - **6FUHHQ5HOHDVHHVVRUHOHDVHIURPORFNHGSRVLWLRQ** □
 - **LVSOD6FUHHQ** - View Content
2. Screen Off - Turns the Monitor Display Off
Touch the Screen to turn the Monitor back On

1. DVD Source Input - Play DVDs, Audio CDs, and MP3 Disc.
 2. Micro SD Card Input - For SD Media Playback
 3. AV Input - External video source, Video Game source, or other video/audio source
 4. Setup - Access to System Menu
 5. USB Input - For USB Media Playback and Charging Support
 6. APPS - Apps access and download
 7. **HDMI Input** ~~RQQHEW0HYLFHVVEKDV6PDUW3KRQHVRU~~
a. e Consoles
 8. Return - Returns to Previous Screen
 9. **Home** - Returns to Home Screen
- **Brightness** ~~GMVWV6FUHHQLKWQHVV~~
~~TRFKWKH6FUHHQWRWUQWKH0RQLWRUEDFN2Q~~