

**10.1-Inch LED Backlit LCD Roof-Mount DVD Player
With DVD/CD/MP3 SYSTEM**



AVXMTG10UA



**INSTALLATION
GUIDE**

TABLE OF CONTENTS

Important Notices.....	2
IR Transmit and Receive Modes (M1 or M2)	3
Materials Included in this Package	4
Removing and Installing Snap On Covers	5
General Vehicle Installation Approach	8
Connecting the Dome Lights.....	11

IMPORTANT NOTICES

Installation of overhead products requires careful planning and preparation. Be extremely careful when working on a vehicle with side curtain air bags. Do not route wires near any portion of the side curtain air bag assemblies. This includes anchor points in A, B, C or D pillars of the vehicle. Routing wires in these areas or running wires by the side curtain air bags can prevent the side curtain air bag from fully deploying which can result in personal injury to vehicle occupants. If you have any question regarding routing in a vehicle, please contact Audiovox Technical support at 1-800-225-6074.

An LCD panel and/or video monitor may be installed in a motor vehicle and visible to the driver only if the LCD panel or video monitor is used for vehicle information, system control, rear or side observation or navigation. If the LCD panel or video monitor is used for television reception, video or DVD play, the LCD panel or video monitor must be installed so that these features will only function when the vehicle is in "park" or when the vehicle's parking brake is applied.

When connecting power and ground in a mobile video installation, insure that the ACC wire is fused at the point where it is connected to the vehicle's ACC wiring. Failure to do so can result in damage to the vehicle if a short circuit develops between the vehicle connection point and the mobile video product.

An LCD panel and/or video monitor used for television reception, video or DVD play that operates when the vehicle is in gear or when the parking brake is not applied must be installed to the rear of the driver seat where it will not be visible, directly or indirectly, to the operator of the motor vehicle.

*** Important Notice***

When installing this overhead monitor there should be no obstructions such as extra cabling, power chokes or any other objects placed between this overhead and supplied mounting bracket. Failure to comply may cause damage to the overhead monitor and will void the warranty.

WARNINGS

- Do not use any solvents or cleaning materials when cleaning the video monitor.
- Do not use any abrasive cleaners, they may scratch the screen.
- Use only lightly dampened lint free cloth to wipe the screen if it is dirty.
- Lock the LCD screen in fully closed position when not in use.
- Before putting on headphones, always adjust the volume setting to OFF or lowest position.
- Remember to leave the dome light switch in the off or auto position when the vehicle is unattended, as the dome lights, if left on, can drain the vehicle battery.
- Do not put pressure on the screen.
- Caution children to avoid touching or scratching the screen, as it may become dirty or damaged.

Safety Precautions

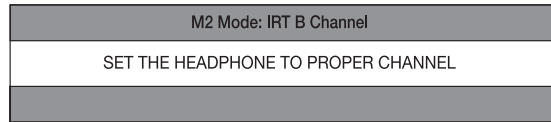
For safety reasons, when changing video media, it is recommended that the vehicle is not in motion, and that you do not allow children to unfasten seat-belts to change video media or make any adjustments to the system. System adjustments can be accomplished using the remote control, while seat-belts remain fastened. Enjoy your AUDIOVOX entertainment system but remember that the safety of all passengers remains the number one priority.

Licensed under one or more of the following patents, Patent Numbers 5,775,762, 5,927,784, and 6,678,892.

IR TRANSMIT AND RECEIVE MODES (M1 OR M2)

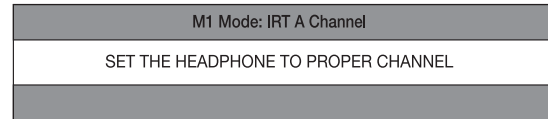
The AVXMTG10UA has an option that allows the user to select from two IR transmit and receive modes (M1 or M2). This feature can be used when two AVXMTG10UA units are installed in the same vehicle or if the vehicle has an RSA (Rear Seat Audio) that uses "A" channel headphones. When in the M1 mode the unit will transmit audio on the A channel. When in the M2 mode the unit will transmit audio on the B channel. If two of these units are used in one vehicle it may help to mark one remote with M1 on the back and the other remote with M2 on the back. A unit set to M2 mode will not work with a remote control programmed to the M1 mode. Conversely a unit set to M1 mode will not work with a remote control programmed to the M2 mode.

To change from M1 to M2 mode, point the remote control towards the IR receiver on the AVXMTG10UA. Press and hold the M2 button for 5 to 7 seconds. The following screen will be displayed:



Note: The OSD will appear on the screen for 4 – 5 seconds.

To change from M2 to M1 mode, point the remote control towards the IR receiver on the AVXMTG10UA. Press and hold the M1 button for 5 to 7 seconds. The following screen will be displayed:

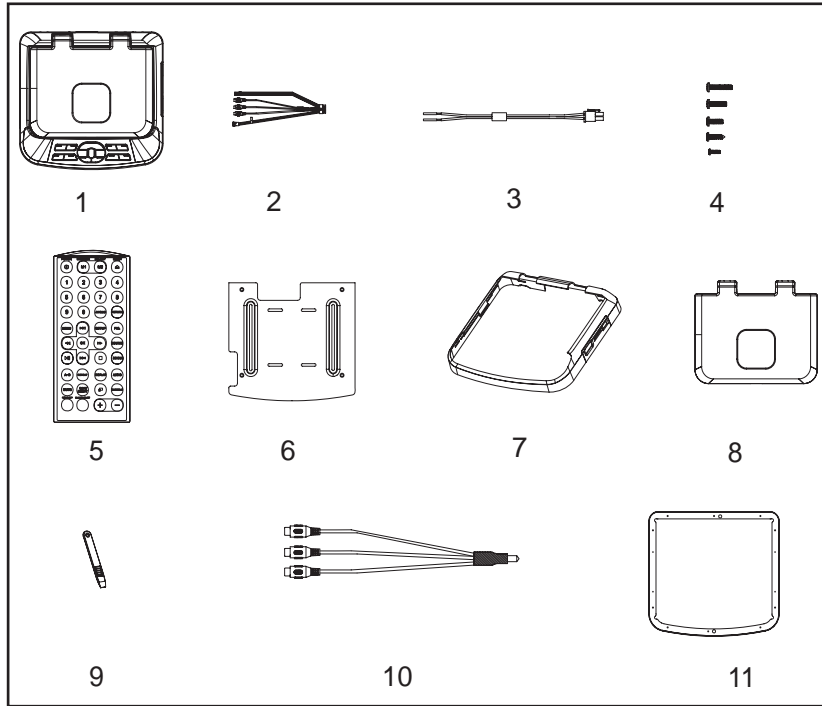


Note: The OSD will appear on the screen for 4 – 5 seconds

When the AVXMTG10UA is powered up in DVD mode it will display the following screen showing FM Modulator status and FM channel selection as well as IR Transmitter status (IR ON or IR OFF) and which mode (M1 or M2) the unit is in.



MATERIALS INCLUDED IN THIS PACKAGE



- | | | |
|---|--|----------|
| 1. | 10" LCD Overhead Monitor with DVD player | (1 pc) |
| 2. | 12 Pin Power Harness | (1 pc) |
| 3. | 2 Pin Power / Wire Harness with Choke | (1 pc) |
| 4. | Hardware Package | |
| | M2.6 x 6mm Phillips Screws | (10 pcs) |
| | M4 x 15mm Phillips Screws | (4 pcs) |
| | M5 x 9mm Phillips Screws | (4 pcs) |
| | M5 x 20mm Phillips Screws | (4 pcs) |
| | M5 x 40mm Phillips Screws | (4 pcs) |
| CAUTION: The 20mm and 40mm screws in the hardware kit are provided to facilitate installation. Use extreme caution when using these screws to avoid damage to vehicle roof or other components, wiring, etc. | | |
| 5. | Remote Control | (1 pc) |
| 6. | Mounting Bracket | (1 pc) |
| 7. | Snap-on Shroud | (2 pcs)* |
| 8. | Snap-on Screen Cover | (2 pcs)* |
| 9. | Pry Tool | (1 pc) |
| 10. | 3.5mm TIP/3RCA JACK PIG TAIL | (1 pc) |
| 11. | Trim Ring | (3 pcs) |

*Note: The AVXMTG10UA is supplied with a black snap-on shroud and screen cover. To install the pewter or shale snap-on shroud or screen cover, the black snap-on shroud and screen cover must be removed first. See the following page for the removal process.

REMOVING AND INSTALLING SNAP-ON COVERS

Preparation

Place the unit on a soft surface to avoid damaging the plastic.

Materials Required

1.



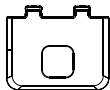
10" Overhead LCD Monitor
with DVD Player

2.



Shroud

3.



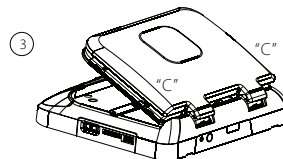
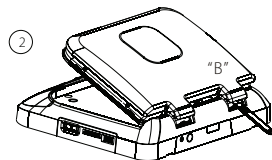
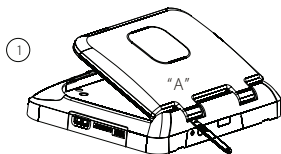
Screen Back Cap

4.



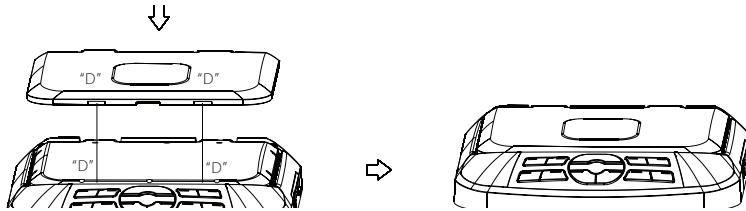
Pry Tool

Disconnecting the Screen Cover



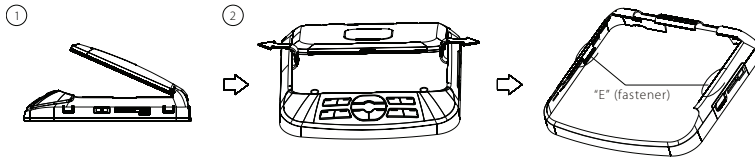
1. Open the LCD screen.
2. Insert the supplied pry tool between the LCD screen and snap on screen cover at locations "A", "B", and "C" and gently pry the cover away from the screen.

Installing the Screen Cover



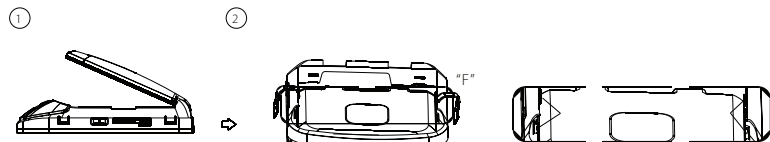
1. Open the LCD screen.
2. Hook the two tabs "D" at the bottom edge of the screen cover into the notches on the bottom edge of the LCD screen.
3. Snap the opposite side of the screen cover over the hinges..

Disconnecting the Shroud



1. Open the LCD screen.
2. Insert the supplied pry tool between the unit and shroud at fastener location "E" and gently pry the shroud away from the unit.

Installing the Shroud



1. Open the LCD screen.
2. Slide the shroud over the unit. The shroud will snap into place at locations "F".

GENERAL VEHICLE INSTALLATION APPROACH

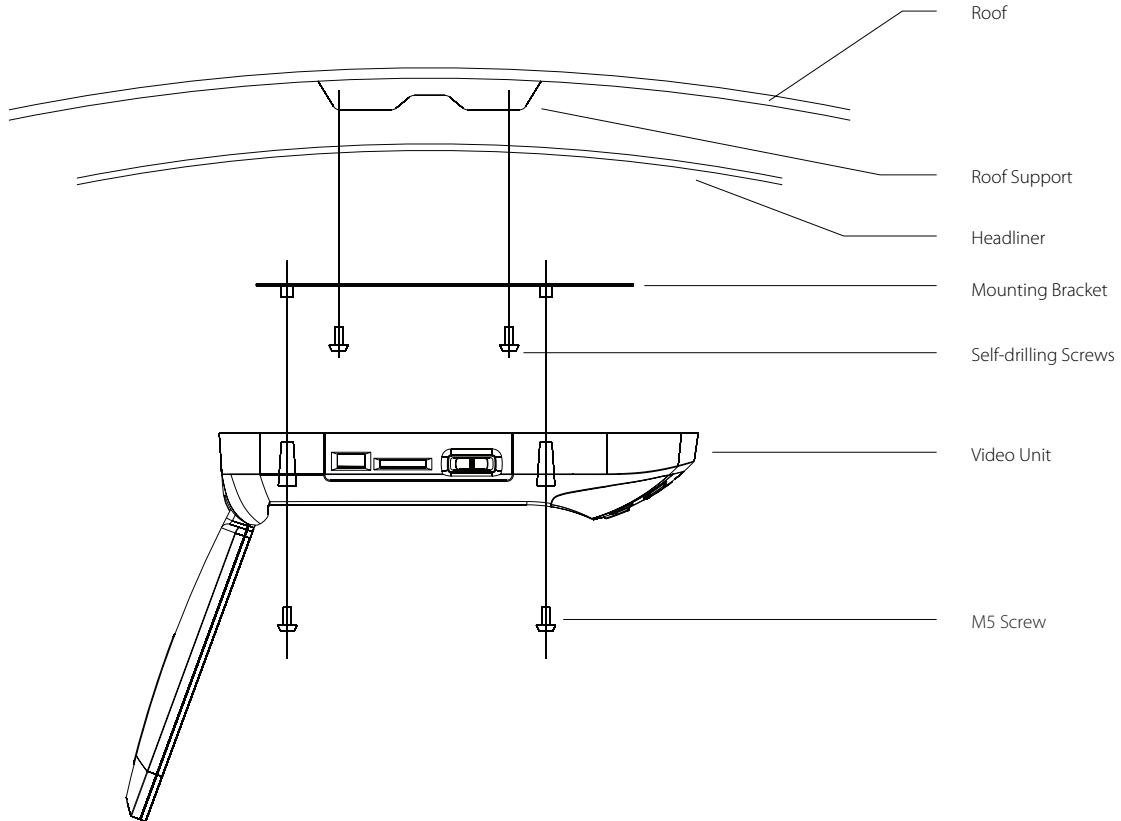
1. Decide upon the system configuration and options that will be installed.
2. Review all manuals to become familiar with electrical requirements and hookups.
3. Decide upon the mounting locations of all components and the method of mounting.
4. Prep the vehicle. Remove any interior trim necessary to gain access to vehicle's wiring, as well as all areas where interconnecting wire harnesses will be located. If any access holes need to be cut into the vehicle, do this now.
5. Route the wiring harnesses in the vehicle as necessary. Refer to the wiring diagrams in this manual, as well as the wiring instructions for the individual components and accessory options being installed. Ensure that the wiring is protected from sharp edges. Ensure that all wiring is not pinched when all components and interior trim are fully installed. Leave enough slack in the wiring at each component to allow working room.
6. Remove all A/V system components from their packaging and place them loosely in the vehicle at their respective locations.
7. Connect all components together and verify the proper operation of all system functions.
Note: This is best done BEFORE components have been permanently mounted.
8. After verifying proper operation of the system, proceed to mount each component.
9. When all components are mounted, recheck the function of the entire system. Ensure that no wiring was pinched or connected improperly during final installation
10. Dome light wiring must be carefully planned due to the design of vehicle electrical systems. Some vehicles use an electronic module (i.e. Body Control Module) to turn the dome lights on and off. Care must be used to avoid damage to these types of electronic modules or damage to the dome light circuit in the DVD overhead.

General guidelines for dome lamp wiring:

1. If the vehicle already has LED dome lamps do not connect to the LED dome lamp circuits.
2. If it is not certain how the dome lamps tie into the vehicle electrical system, wire the dome lamp circuit (of the DVD overhead) to the driver's door pin switch.
3. Follow the instructions on pages 11-13.
4. Contact the Audiovox tech support line if you have any questions regarding dome lamp wiring.

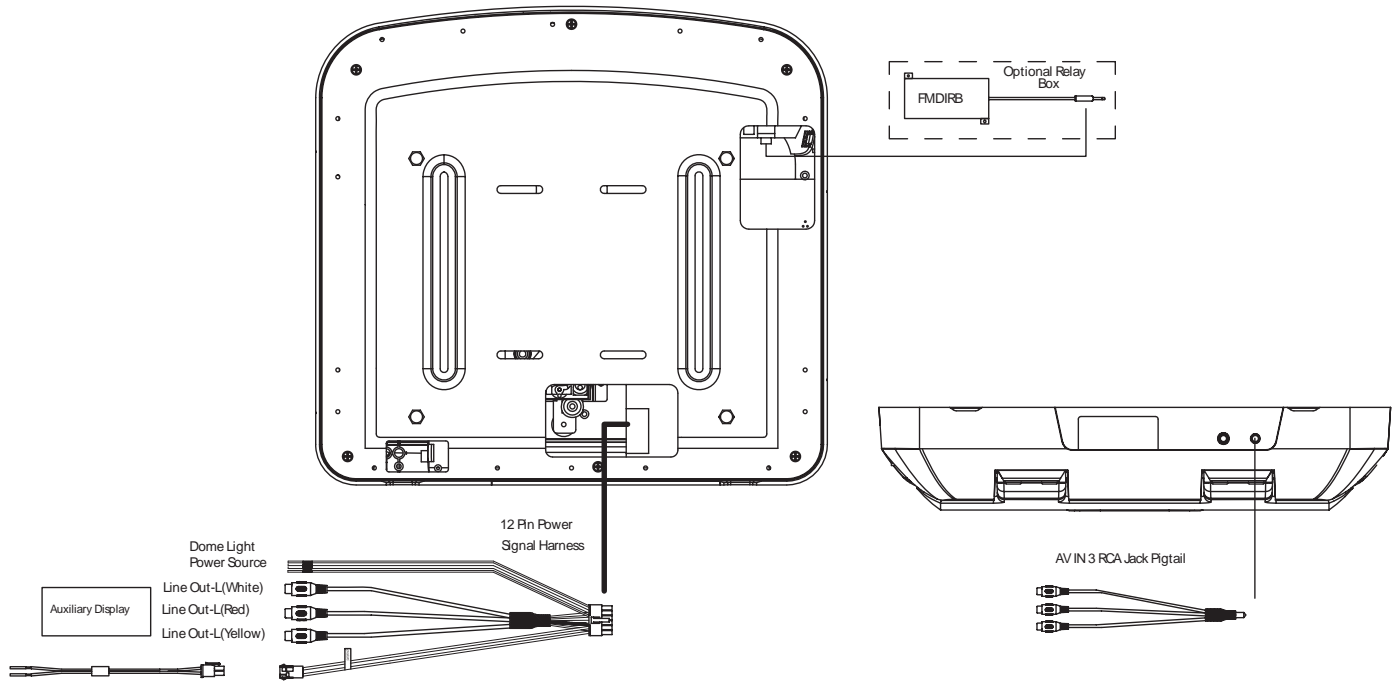
GENERAL VEHICLE INSTALLATION APPROACH

Installing Unit to Roof



CAUTION: The 20mm and 40mm screws in the hardware kit are provided to facilitate installation. Use extreme caution when using these screws to avoid damage to vehicle roof or other components, wiring, etc.

GENERAL VEHICLE INSTALLATION APPROACH



CONNECTING THE DOME LIGHTS

The dome lights in the video monitor require three connections to the vehicle's wiring. There are two common types of dome light circuits used, positive or negative switched. Positive systems supply voltage to the interior lights to turn them on. Negative switched systems apply ground to illuminate the bulbs.

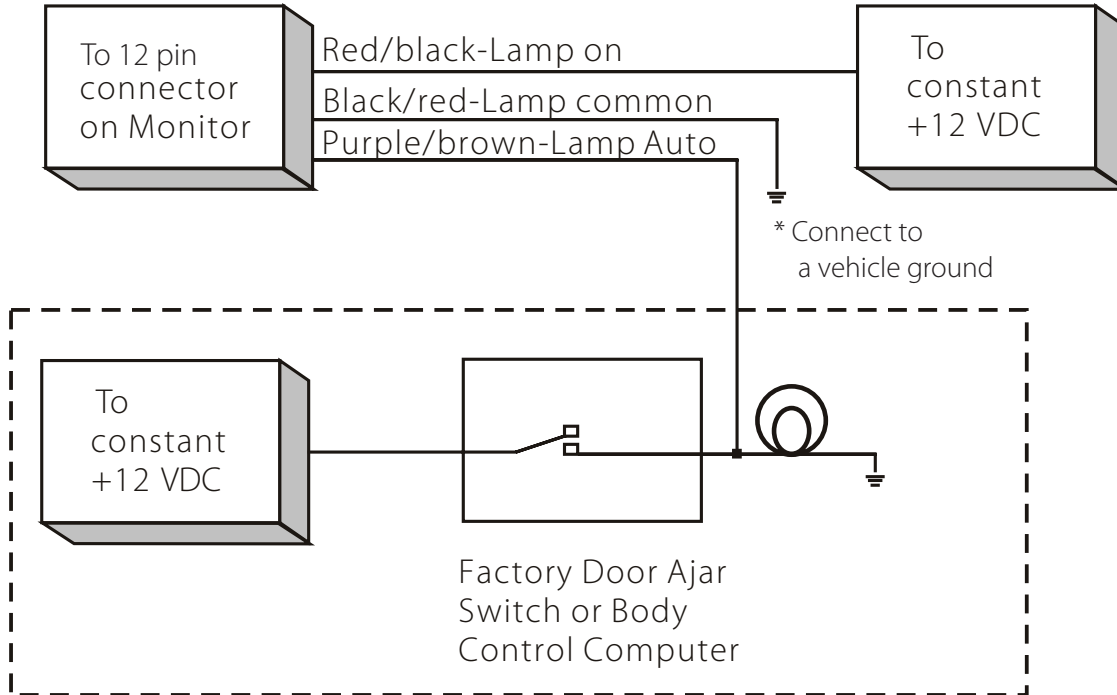
To determine which system you have, you must locate the wires at the vehicle dome light.

- On a positive switched system, with all the doors closed and lights out, both wires at the dome light will rest at ground. When the light is activated, one of these wires will switch to +12 VDC. This is the vehicle's switching wire.
- For positive systems, connect the purple/brown (Lamp auto) wire to the vehicle's switched wire. Then connect the red/black (Lamp on) wire to a fused constant 12 volt source and the black/red (Lamp common) wire to a good vehicle ground. Positive systems are commonly found on Ford vehicles.
- On a negative switched system, with all the doors closed and lights out, both wires at the dome light will rest at +12 VDC. When the light is activated, one of these wires will switch to ground. This is the vehicle's switching wire.
- For negative systems, connect the purple/brown (Lamp auto) wire to the vehicle's switched wire. Then connect the red/black (Lamp on) wire to a good ground and the black/red (Lamp common) wire to fused constant 12 volt source. Negative systems are commonly found on General Motors and import vehicles.

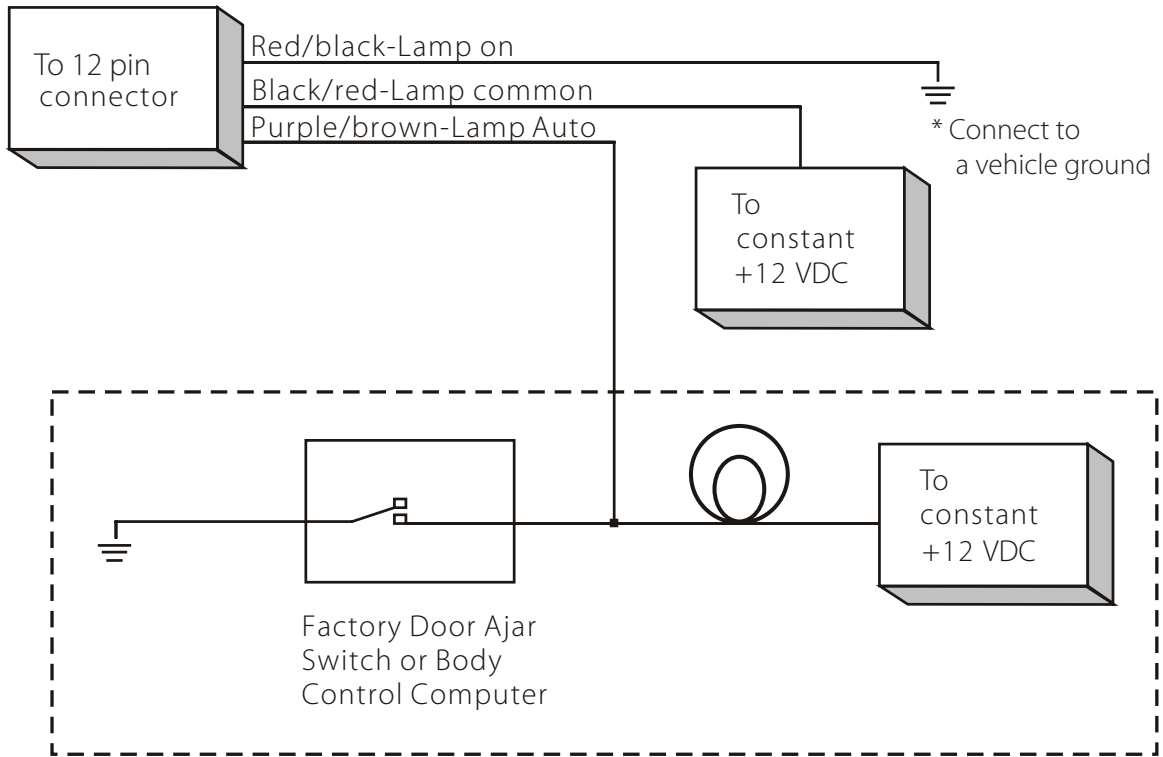
Note: Some vehicles which incorporate transistorized control of the dome light circuit, such as the 1999 Dodge Caravan, may require that the purple/brown (Lamp auto) wire be connected to the door pin switch wire, as the additional current draw of the Monitor's lights may not be supported by the output of the vehicle's body control computer.

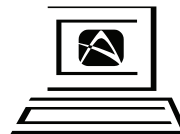
After wiring the dome lights make sure the dome lights operate properly with doors opening and closing and that they are not always on. Do not leave the dome lamp switch on the DVD overhead in ON position as this will drain the battery over time

Positive Switched Dome Lighting



Negative Switched Dome Lighting





For Customer Service
Visit Our Website At
www.audiovoxproducts.com
Product Information, Photos,
FAQ's Owner's Manuals