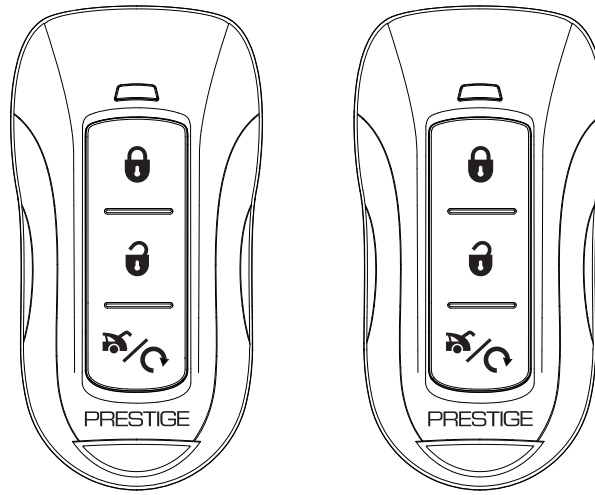


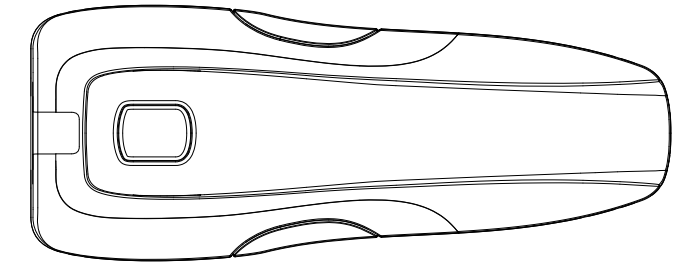
PRESTIGE

APS57TM

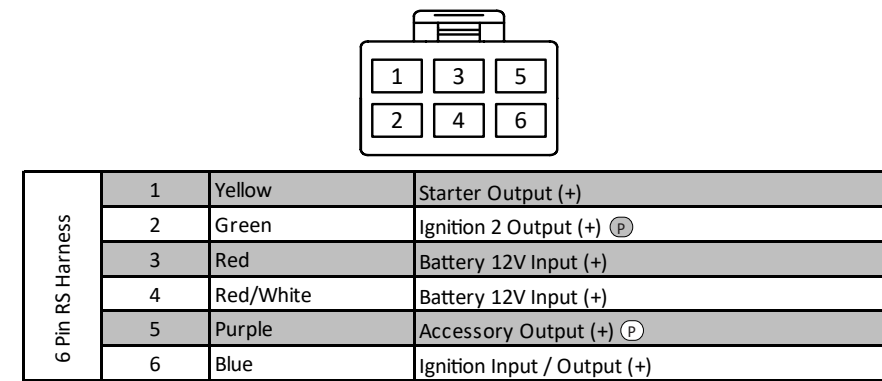
Remote Start
System Layout



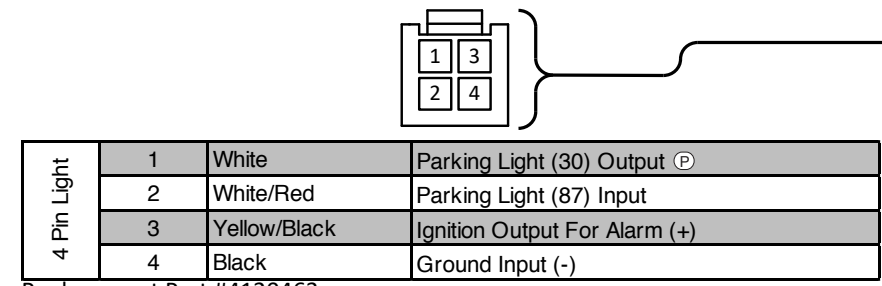
Replacement Part #183BP



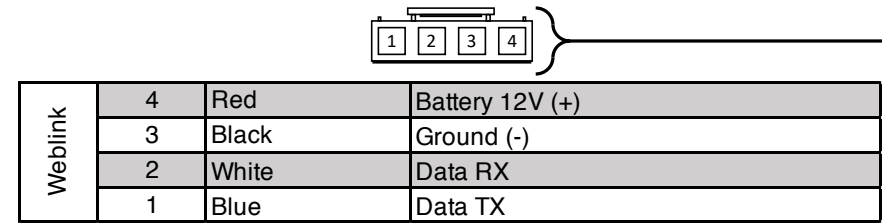
Replacement Part #4180070



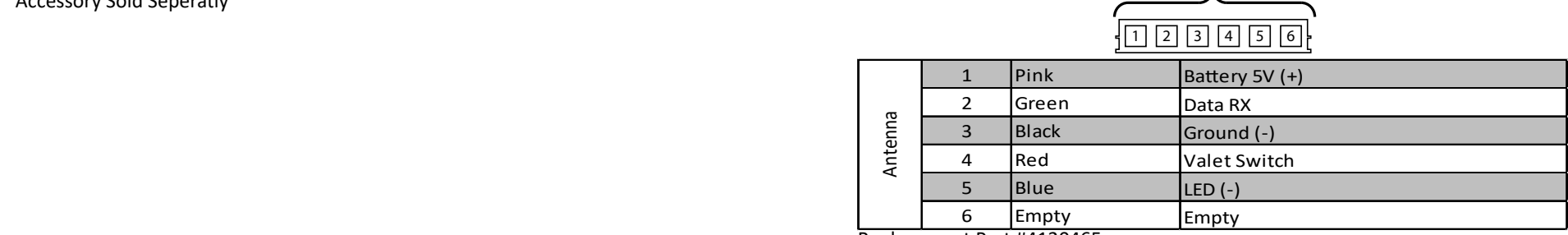
Replacement Part #4120467



Replacement Part #4120463



Accessory Sold Separatly



Replacement Part #4361009

1	Pink	Battery 5V (+)
2	Green	Data RX
3	Black	Ground (-)
4	Red	Valet Switch
5	Blue	LED (-)
6	Empty	Empty

Replacement Part #4120465

14	Green/Orange	Tach Input
13	Black/Yellow	Pulse During Crank Output (-)
12	Green/Yellow	Glow Plug Input (+)
11	Black/Red	Pulse After Shutdown Output (-)
10	Dk. Blue	Trunk Output (-)
9	Black/Blue	Factory Disarm Output (-)
8	Brown/Black	Brake Input (+)
7	Black/Lt. Green	Factory Arm Output (-)
6	Dk. Blue/Black	External Activation Input (-)
5	Lt. Blue	Remote Start Status Output (-)
4	Green	Unlock Output (-)
3	Gray/Black	Hood Input (-)
2	Red	Lock Output (-)
1	Black/White	Horn Output (-)

Replacement Part #4120476

4	Red	Battery 12V (+)
3	Blue	Data TX
2	Black	Ground (-)
1	White	Data RX

Accessory Sold Separatly

4	Red	Battery 12V (+)
3	Blue	Data TX
2	Black	Ground (-)
1	White	Data RX

Accessory Sold Separatly

This Harness is included with the FLCART.
For Wire Information and Diagram Please Refer to Vehicle Specific
FlashLogic Install Guide.
Visit www.FlashLogic.com for More Information.



APS57TM

Remote Start w/Keyless

Quick Installation Guide

For Complete Installation Guide and Technical Support Visit
www.voxxuniversity.com
 Or Call
 1-800-225-6074

REV. A

2020 Voxx Electronics. All Rights Reserved.

Notifications

Remote Start

If the remote start fails to start the vehicle, the system will flash the vehicle parking lights to indicate the cause.

1	Runtime Expired
2	Remote Shutdown
3	Brake On
4	Manual Mode
5	Hood Open
6	Low / No Tach
7	Tach Programming
8	High Tach

Chirp Delete

System ARM/DISARM chirps can be toggled ON or OFF without entering the Feature Bank programming.

- Turn the ignition key ON/OFF.
- Press and release the valet button three (3) times.

The system will respond with one (1) chirp for ON and two (2) Chirps for OFF. This feature will not affect alarm trigger or programming.

User Programmable LED

System LED notifications can be turned ON or OFF without entering Feature Bank programming.

- Turn the ignition key ON/OFF, ON/OFF.
- Press and hold valet button for five (5) seconds.

The LED will flash one (1) time for ON, two (2) times for OFF. This feature will not affect LED flash during programming.

Tach Programming

The installer must manually configure the Engine Confirmation method in Feature Bank 3, Feature 5. The default method is "Tach". When using the default "Tach" method, the vehicle tach rate must be programmed. To enter tach rate programming:

- Turn the ignition key to the ON position.
- Press and release the valet button three (3) times.
- Turn the ignition key to OFF.
- Press and hold the valet button.
- While holding the valet button, start the engine using the key.
- Hold the valet button for approximately ten (10) seconds. If connected to the vehicle Tach source, the system will flash the parking lights one (1) time every second.
- Release the valet button. The system will turn on the parking lights for two (2) seconds to indicate the tach rate is programmed.

The tach rate can also be programmed without the use of a valet button. This is helpful when using the OEM remote of CarLink system to control this module. To program the tach rate without a valet button:

- Turn the ignition key to the ON position and start the engine.
- Wait for Engine RPM to lower to a normal idle.
- Press and hold the vehicle's brake pedal.
- Press the LOCK button on the OEM remote or the Carlink App.

Note: Programming tach signal via OEM or Telematics control is only available on Firmware v1.47 or Higher.

Remote Programming

The APS57TM includes two (2) programmed remotes. If required, additional remotes can be programmed to the system. Remote Programming is located in Feature Bank 1. To enter Remote Auto Programming:

- Turn the ignition key to the ON position.
- Press and release the valet button three (3) times. System will beep and flash the parking lights one (1) time.

Press the lock button on each remote. The system will beep one (1) times to indicate the remote has been programmed.

Feature Programming

The APS57TM Feature Banks can be programmed by using the valet button and remote. To enter Feature Bank programming:

- Turn the ignition to the ON position.
- Press and release the valet button three (3) times. The system will beep and flash the parking lights one (1) time for Feature Bank 1, Remote Programming.
- Cycle the ignition key OFF/ON. The system will beep and flash parking lights two (2) times for Feature Bank 2.
- Press the valet button to cycle features. The LED will flash to display feature number.
- Press the lock button to cycle options. The system will beep to indicate option number.
- Cycle THE ignition key OFF/ON. The system will beep and flash parking lights three (3) times for Feature Bank 3.
- Press the valet button to cycle features. The LED will flash to display feature number.
- Press the lock button to cycle options. The system will beep to indicate the option number.

Data Protocol Selection

The default data port protocol of this model is ADS (iDatalink 2-Way). This model is capable of detecting the correct data port protocol (ADS or DBI) and automatically configuring Feature Bank 2; Feature 18. To initialize the detection procedure:

- Press and hold the valet button.
- Cycle the vehicle's Ignition ON/OFF two (2) times.
- Release the valet button.

The system will automatically detect and set the correct data port protocol, ADS or DBI.

Note: This feature is only available on module firmware v2.0 or higher.

The Feature Banks below can also be programmed using the FlashLogic Weblink.
 Please visit www.FlashLogic.com for more detail.

Feature Bank 2		Options					
		1 Chirp	2 Chirp	3 Chirp	4 Chirp	5 Chirp	6 Chirp
1	Lock / Unlock Function	500ms	3.5sec	500ms L, DBL UL	DBL L, 500ms UL	DBL L, DBL UL	500ms L, 350ms UL
2	Accessory Lock	NA					
3	Accessory Unlock	NA					
4	Exterior Illumination	NA					
5	Auto Relock	NA					
6	Auto Arming	NA					
7	Notification Sound	NA					
8	Horn Timing	16ms	30ms	40ms	50ms	10ms	
9	Valet Override Method	NA					
10	Driver Priority Unlock	NA					
11	Silent Choice	OFF	From Transmitter	OEM Style			
12	Park Light / Trunk Swap	NA					
13	AUX Ch. 4	NA					
14	AUX Ch. 5	NA					
15	AUX Ch. 6	NA					
16	AUX Ch. 7	NA					
17	Security Profile	OFF	OEM Security	W/ OEM Remote Start			
18	Data Port Protocol	ADS	DBI				

Feature Bank 3		Options					
		1 Chirp	2 Chirp	3 Chirp	4 chirp	5 Chirp	6 Chirp
1	Defrost Output	NA					
2	RS Start Notification	ON	OFF				
3	RS Runtime	15min	20min	45min	60min	5min	10min
4	RS Parking Lights	Steady	Flashing				
5	Engine Confirmation	Tach	Voltage	Data	Hybrid		
6	Voltage Level	>0.5v B4 Start	<0.5v B4 Start				
7	Ignition 2 Output	Ignition	Accessory	Start			
8	Ignition 3 Output	N/A					
9	Accessory Output	Accessory	Ignition	Start			
10	Transmission	NA					
11	Max Crank Time	0.8sec	1.0sec	1.5sec	2.0sec	3.0sec	4.0sec
12	Diesel Delay	OFF	Diesel 5	Diesel 10	Diesel 15	Diesel 20	Diesel 30
13	Temperature Start	NA					
14	Crank Duration	Averaging	Preset				
15	RS Shock Override	NA					
16	Turbo Timer	NA					
17	Start Activation	Two Press	One Press	Three Press			
18	RS Lock Function	No Change	UL Before L After	UL Before Start	Lock After Start		
19	Factory Disarm Output	Single Pulse	350ms	500ms	800ms	Same As Bank 2, F1	
20	Pulse During Crank	During Crank	GWR	Ignition	Accessory		
21	Factory Arm Output	After Start	GWR	Ignition	Accessory	Start	
22	Pulse After Shutdown	After Shutdown	GWR	Ignition	Accessory	Start	
23	Additional Unlock Pulse	No Pulse	IGN, ACC, GWR	IGN,ACC,GWR,PASD			

OEM Security

This system can provide OEM level security. The system will monitor and trigger by the analog hood input and all entry zone inputs from the FLCAN or other integration modules. When an entry zone is detected the system will beep the vehicle horn and flash the parking lights. This feature must be activated in Feature Bank 2, Feature 17.

Operation

To arm the system, press lock button.
 To disarm the system, press unlock button.

Valet Override Procedure

To disarm the system without the use of a remote, turn the ignition key to ON and press the valet button one (1) time.

Important Update

The default Data Port Protocol of this system is ADS. If using an FLCAN or other external integration module be sure to choose iDatalink 2-Way when flashing.

This system will also support DBI. This will require programming Feature Bank 2, Feature 18 to DBI.