

inSite CHILD LOCATOR

Operational Description

*Simply attach the stylish Soccer Ball/Smiley Face Receiver to your child's shoe, using the laces or Velcro Straps to the most convenient, sturdy mounting point.

*Attach the Wireless Transmitter to your key ring or simply place it in your pocket.

*Press the button on the receiver. You will see a red light flash on the Soccer Ball/ Smiley Face. You must press the transmitter button within ten seconds.

*At this point, the transmitter and receiver establish their own proprietary frequency.

*This will activate the Soccer Ball/Smiley Face Receiver.

*You will hear a few faint beeps.

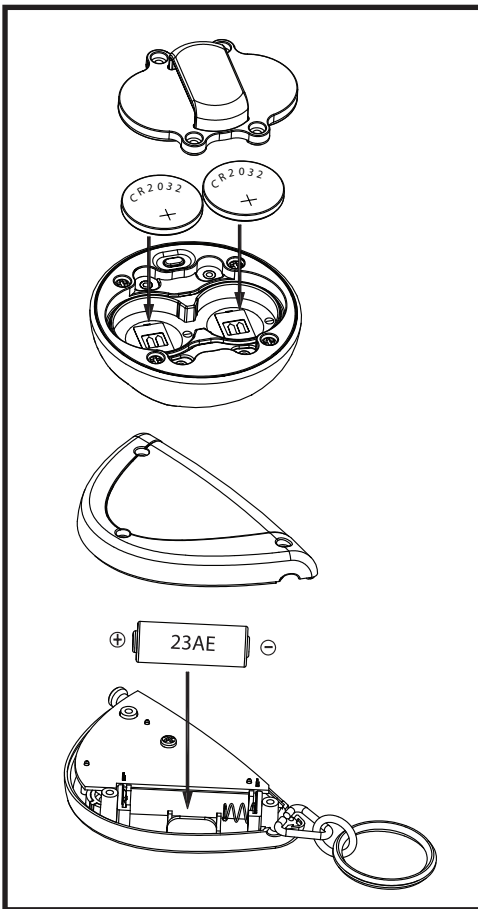
*Now the unit is armed and ready for use. However if you do not press the button on the receiver within ten seconds and the red LED stops flashing, press the button on the receiver again.

* To turn the receiver off, press and hold the button until you hear two beeps.

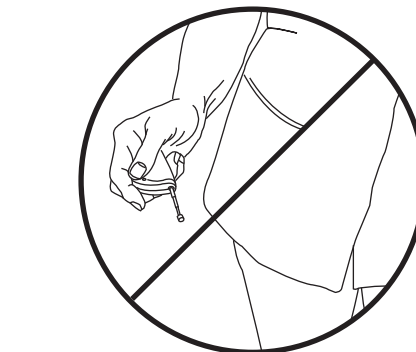
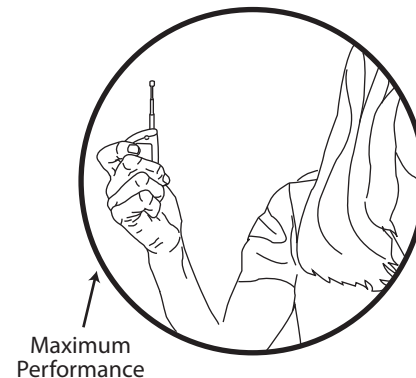
* If your child becomes lost or decides to play hide and seek without asking, simply press the button on your Transmitter and the cute Soccer Ball/ Smiley Face emits a series of high decibel beeps, allowing you to track down your child.

WARNING: Due to high decibel beeps do not attach the receiver above the waist.

Model numbers CRF103/CRF104



Correct Transmitter Position



128-9168A