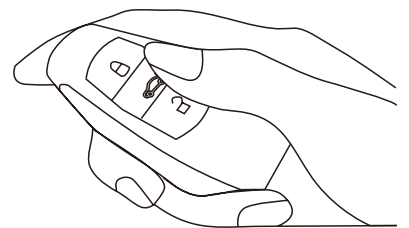
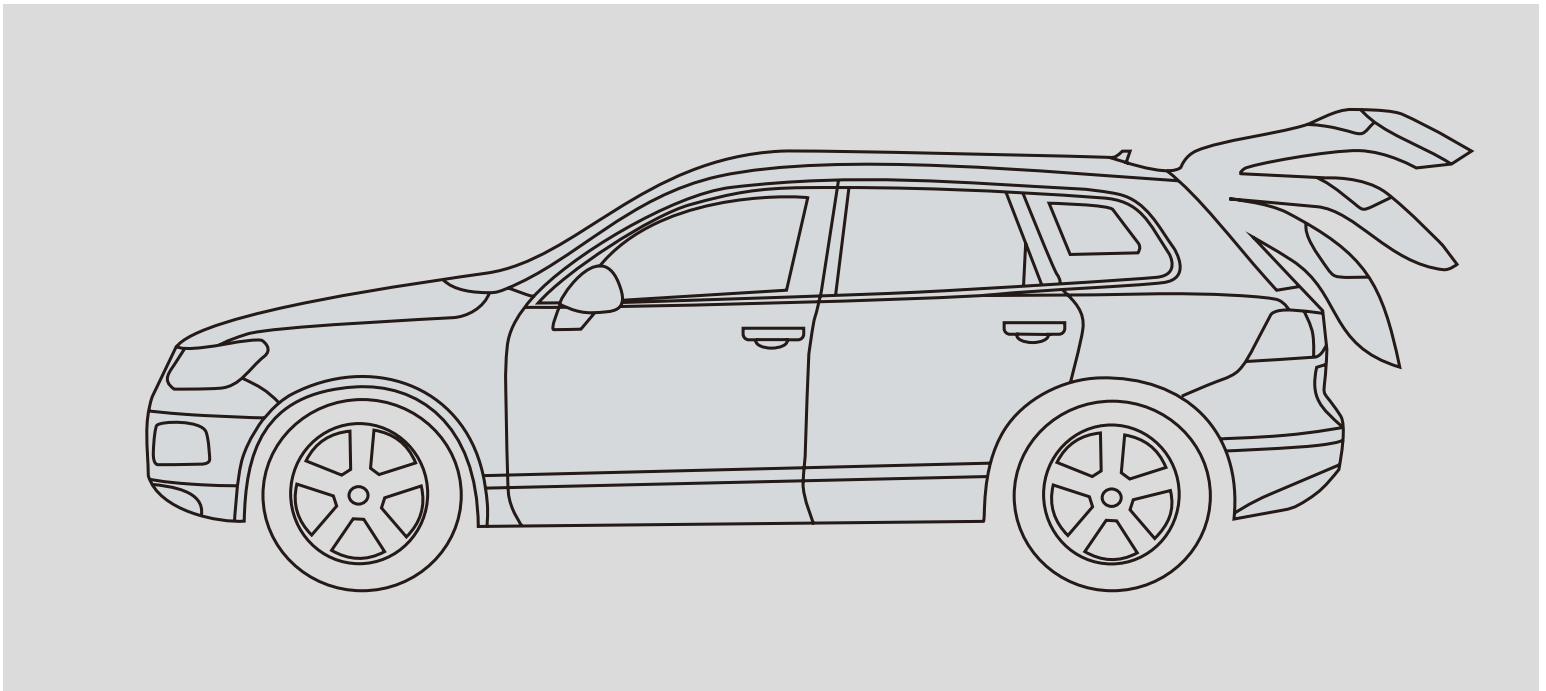




# Installation Manual: Ford Escape Power Lift Gate System



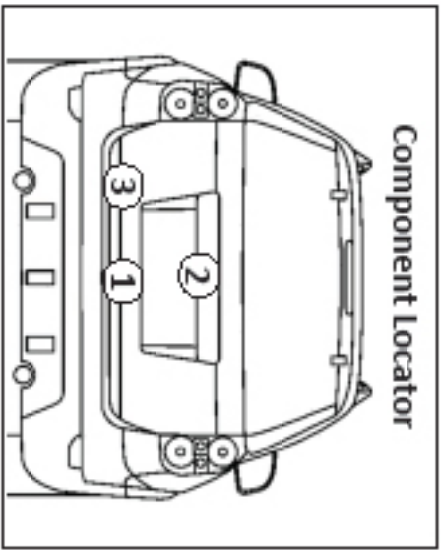
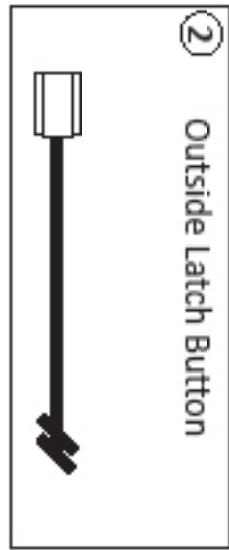
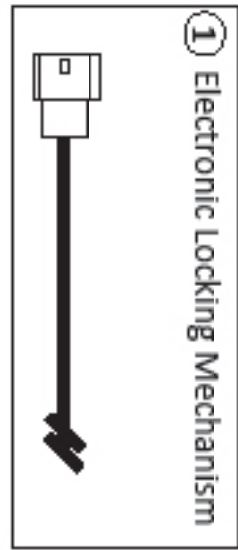
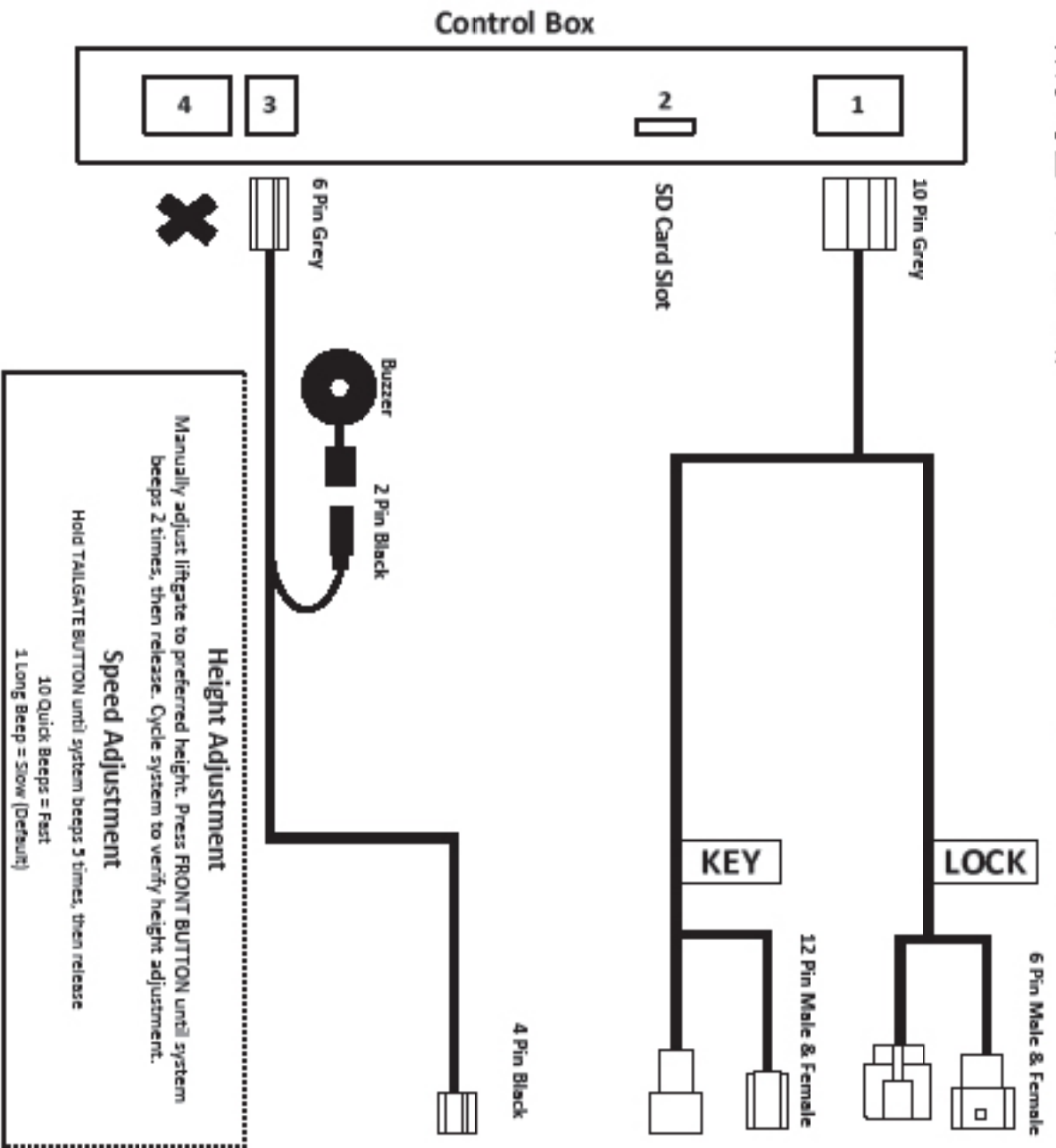
# NOTE: Installation Precaution

1. It is recommended to have this product installed by a professional to avoid damage caused by improper installation.
2. Do not attempt to disassemble or modify any components included within the kit. Unapproved modifications or evidence of tampering will void any warranty included with the product.
3. Before installation, inspect the vehicle's controls and interior/exterior for any damage or malfunctioning components. Report any damage or non conformities to the customer prior to installing the product.
4. Inspect the factory lift gate for proper operation and function of lights before installing this product. Improper opening or closing of the lift gate may interfere with the functionality of the Power Lift Gate System.
5. It is recommended to remove or cover any item of clothing (belt buckles, jeans rivets, buttons, etc) prior to installation of this accessory to prevent damage incurred to the vehicle during the installation.
6. Interior panels that have been removed should be set aside somewhere safe during the installation process to avoid damage.
7. When routing and securing wiring harnesses, care should be exercised to avoid any hot, sharp, or moving objects in the vehicle such as steering column, pedals, dash bracing, HVAC components, etc.
8. Do not deviate from methods of installation in this document. Any damage caused by improper wire routing, incorrect connections, wiring, etc. is not covered under the warranty.
9. Disconnect the negative (-) battery terminal before proceeding to installation. Wait at least 2 minutes after disconnecting the negative (-) battery terminal to disable the SRS and other systems in the vehicle. Any damage caused from failure to disconnect the battery is not covered under the warranty.
10. After installation, you must manually close the lift gate to initialize the Power Lift Gate System.

# Wiring Details

ADVENT<sup>®</sup>

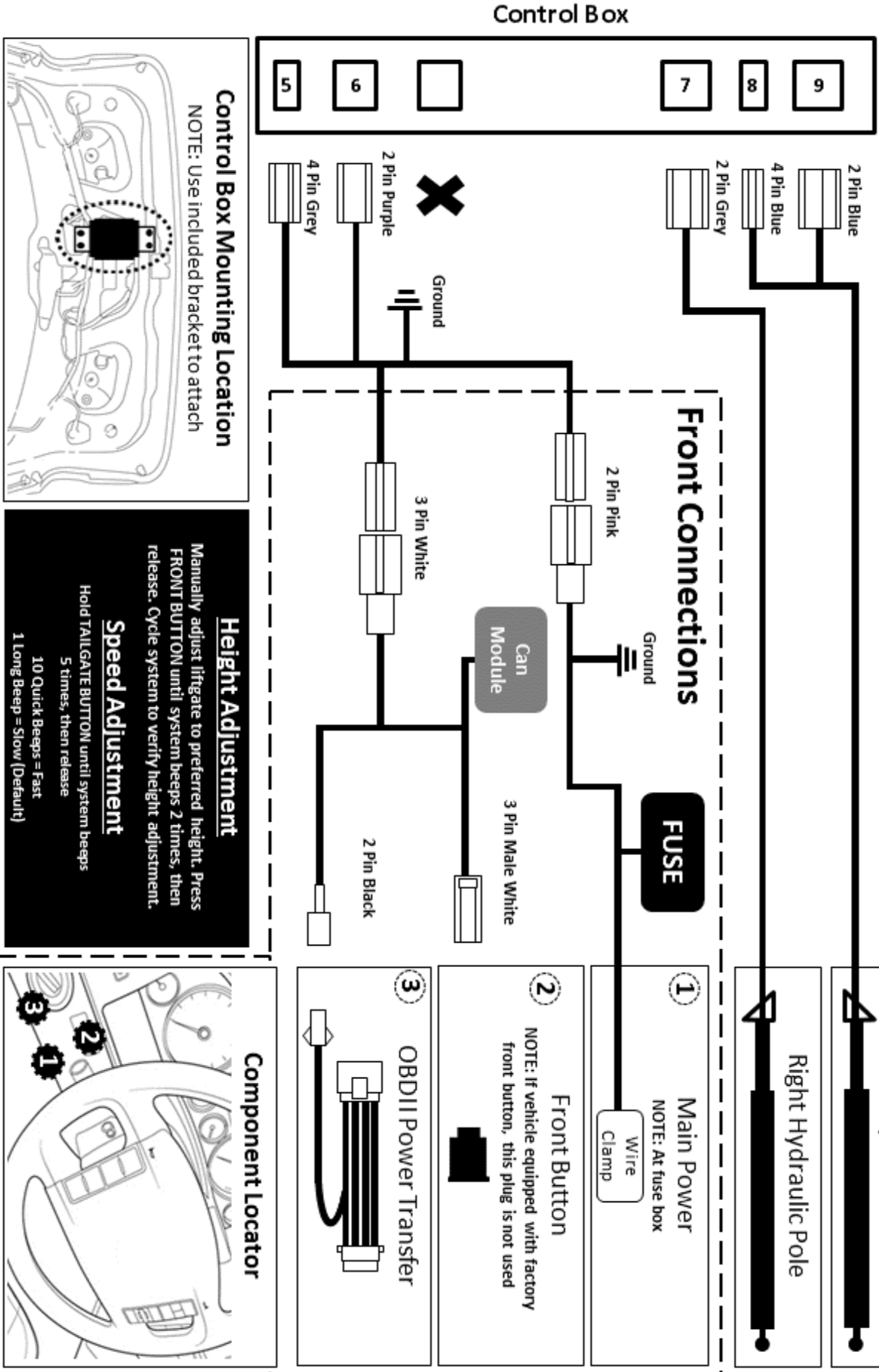
## ESC Liftgate System Layout



# Wiring Details



## ESC Liftgate System Layout



**Control Box Mounting Location**  
NOTE: Use Included bracket to attach

**Height Adjustment**  
Manually adjust liftgate to preferred height. Press FRONT BUTTON until system beeps 2 times, then release. Cycle system to verify height adjustment.

**Speed Adjustment**  
Hold TAILGATE BUTTON until system beeps 5 times, then release  
10 Quick Beeps = Fast  
1 Long Beep = Slow (Default)

**Component Locator**

- ① Main Power  
NOTE: At fuse box  
Wire Clamp
- ② Front Button  
NOTE: If vehicle equipped with factory front button, this plug is not used
- ③ OBDII Power Transfer

# PREPARING FOR INSTALLATION

## INSTALLATION PREPARATION

Before starting installation

1. Familiarize yourself with the installation instructions.
2. Inspect kit components to verify everything is present, there is no damage, and to familiarize yourself with the parts.

## VEHICLE PREPARATION

1. Place protective coverings on vehicle.
2. Apply protective tape to all points before prying.

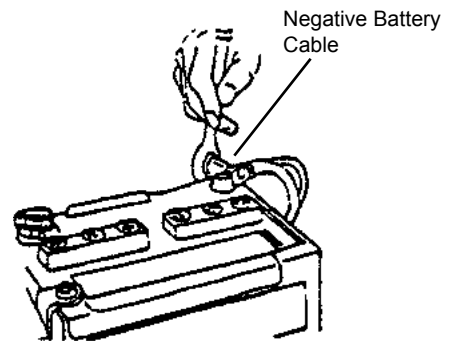
### 3. **"IMPORTANT.....IMPORTANT"**



**Disconnect Negative Battery Cable**

## INSTALLATION:

1. Disengage the clips and remove the center trim bezel from the lift gate.
2. Disengage the clips and remove the side trim bezel from the lift gate. Repeat for the opposite side.



- Using a moulding remover, carefully pry on the handle cover to remove it and expose the screws. Remove the 2 screws underneath the cover.



- Use a moulding remover to carefully pry on the lift gate interior cover panel. Disengage all of the clips and carefully remove the panel. Set it aside where it will not be damaged.



- Using a helper or supporting brace, support the lift gate in the full opened position.

- Using a pry tool, remove the lower clip on the end of the OEM gas support struts for the lift gate.



**Exercise caution when removing the support struts, as the lift gate is very heavy once removed.**

- Using a pry tool, remove the upper clip on the end of the OEM gas support strut for the lift gate, and remove the support strut.

- Repeat for the opposite side.





9. Remove the 2 screws and then remove the LH side mounting ball and bracket for the OEM gas support strut. Replace with the one included in the kit.



10. Install the supplied Power Lift Gate Motors, noting the Left and Right orientation as marked on the motor assemblies. Mount the motor with the wiring harness towards the upper (lift gate) side.

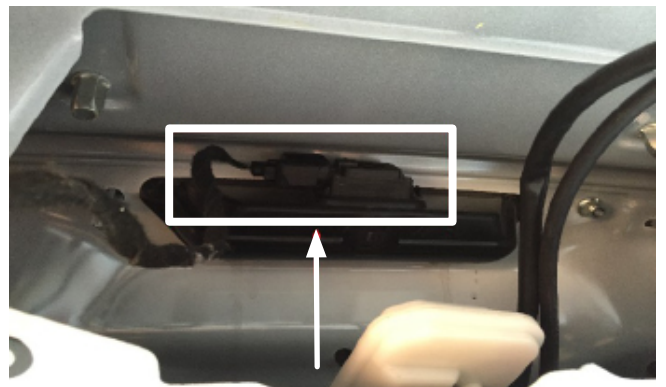


11. Locate the factory grommet near the top of the upper lift motor mounting location. Remove the factory grommet and route the wire harness into the lift gate structure.



12. Repeat for the opposite side Power Lift Motor.

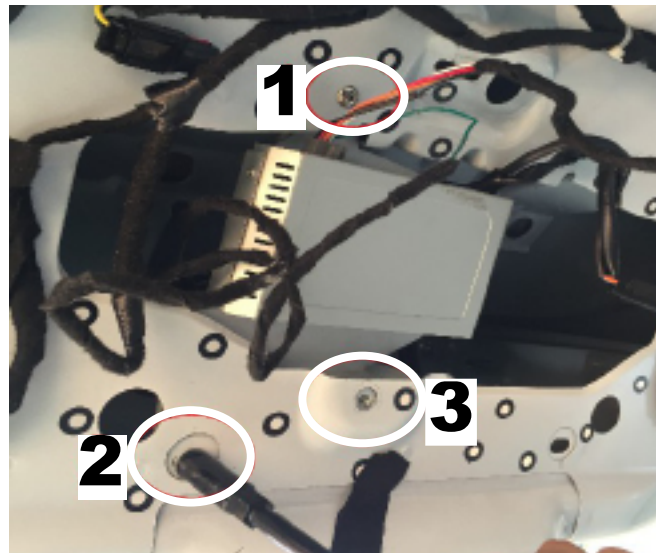
13. Locate the connector on rear of the OEM lift gate opener switch. Connect the supplied T-Harness in line with the opener switch.



14. Locate the connector on the factory lift gate latch assembly. Disconnect the OEM connector and connect with the supplied T-Harness.



15. Locate the control module in the mounting location. Note that the supplied bracket will line up with preexisting holes in the lift gate body structure. Mount the control module as shown.



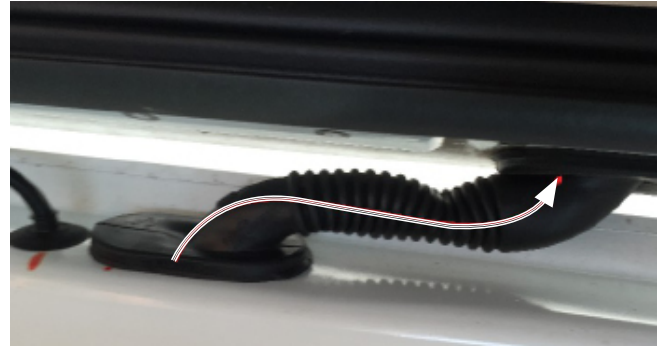
16. Route the wiring harness along the driver's side towards the rear of the vehicle, following the factory wiring harness. Route the wiring harness upwards and towards the lift gate wiring harness boot.





17. Using a wire puller or fish tape, pull the wiring harness through the factory wiring boot into the liftgate structure.

Note: Spraying a bit of soap/water solution into the rubber wiring boot to lubricate the inside will make it easier to pull the wiring harness through the wiring boot.



18. Follow the factory wiring harness and route the wiring harness towards the control module, securing with cable ties as necessary along the routing path.



19. Make all connections to the control module as per the wiring diagram.

20. Mount the rear open/close button in the lift gate interior panel as shown. Connect the button to the wiring harness and reinstall the lift gate interior panel.



21. Route the main wiring harness along the driver's side floor up the left kick panel to the knee bolster.

22. Locate the OBDII connector. Disconnect the connector from its mounting location and connect into the supplied T-Harness. Mount the T-Harness connector into the factory location. Connect to the can module harness (see system layout).

**23. FOR BASE MODEL VEHICLES ONLY:**

Mount the front mounted open/close button at the top front edge of the driver's side kick panel, as shown.

**NOTE:** Higher trim level vehicles will use the OEM button, located to the left of the headlight control switch (pictured). If the OEM switch is present, the supplied button is not used and no connection to the kit is required. Trunk signal is detected through the CANBUS connection.



24. Route the Main Power Harness behind the instrument panel to fuse box behind the glove box.



25. Connect the Power Lift Gate's power wire to the red wire at the rear of the fuse panel with the supplied connector clamp.



26. **IMPORTANT:** Prior to closing, ensure door panel is re-installed. Manually close the lift gate to initialize the Power Lift Gate System. Function test the system to verify proper operation.



## THESE POINTS MUST BE CHECKED TO ENSURE A QUALITY INSTALLATION

- |  |  |
|--|--|
| <input type="checkbox"/> <b>Head Light</b><br><i>If the warning lights remains on, it may indicate a system malfunction.</i> | <input type="checkbox"/> <b>Massage Seats (if equipped)</b>  |
| <input type="checkbox"/> <b>High Beams</b>   | <input type="checkbox"/> <b>Power Side Mirrors (if equipped)</b>   |
| <input type="checkbox"/> <b>Turn Signal Lights</b>   | <input type="checkbox"/> <b>Side Mirror Defogger (if equipped)</b>   |
| <input type="checkbox"/> <b>Tail Lights</b>  | <input type="checkbox"/> <b>Front Windshield Defogger (if equipped)</b>  |
| <input type="checkbox"/> <b>Stop Lights</b>  | <input type="checkbox"/> <b>Navigation System (if equipped)</b>  |
| <input type="checkbox"/> <b>Backup Lights</b>  | <input type="checkbox"/> <b>Rear Sunshade (if equipped)</b>  |
| <input type="checkbox"/> <b>Hazard Lights</b>  | <input type="checkbox"/> <b>Cruise Control Light (if equipped)</b>   |
| <input type="checkbox"/> <b>Marker Lights</b>  | <input type="checkbox"/> <b>Steering Wheel Audio Control (if equipped)</b>   |
| <input type="checkbox"/> <b>Dome/Courtesy Lights</b>   | <input type="checkbox"/> <b>HVAC</b>   |
| <input type="checkbox"/> <b>Panel/Switch Illumination</b>  | <input type="checkbox"/> <b>Power Locks (if equipped)</b>  |
| <input type="checkbox"/> <b>Accessory Controls/Illumination (if equipped)</b>  | <input type="checkbox"/> <b>Power Windows (if equipped)</b>  |
| <input type="checkbox"/> <b>Rear Window Defogger (if equipped)</b>   | <input type="checkbox"/> <b>Gauges</b>   |
| <input type="checkbox"/> <b>Key Sensor Buzzer</b>  | <input type="checkbox"/> <b>Front Wiper/Washer</b>   |
| <input type="checkbox"/> <b>Fog Lights (if equipped)</b>   | <input type="checkbox"/> <b>Hood Latch Release</b>   |
| <input type="checkbox"/> <b>Day Time Running Lights (if equipped)</b>  | <input type="checkbox"/> <b>Passenger Air Bag Switch (if equipped)</b>   |
| <input type="checkbox"/> <b>Trunk/Tailgate/Bed Lights (if equipped)</b>  | <input type="checkbox"/> <b>Rollover Side Curtain Air Bag Switch (RSCA)</b>  |
| <input type="checkbox"/> <b>Glove Box Light (if equipped)</b>  | <input type="checkbox"/> <b>Horn</b>   |
| <input type="checkbox"/> <b>ABS Light (if equipped)</b>  | <input type="checkbox"/> <b>Seat Belt Warning Light</b><br><i>If the warning lights remains on, it may indicate a system malfunction.</i>  |
| <input type="checkbox"/> <b>Rear Wiper/Washer (if equipped)</b>  | <input type="checkbox"/> <b>Air Bag Warning Light</b><br><i>If the warning lights remains on, it may indicate a system malfunction.</i>  |
| <input type="checkbox"/> <b>Clock (if equipped)</b>  | <input type="checkbox"/> <b>Lamp Failure Sensor</b><br><i>If the warning lights remains on, it may indicate a system malfunction.</i>  |
| <input type="checkbox"/> <b>Accessory Power Socket (if equipped)</b>   | <input type="checkbox"/> <b>Track/Skid Control Light (if equipped)</b><br><i>If the warning lights remains on, it may indicate a system malfunction.</i>   |
| <input type="checkbox"/> <b>Starter</b>  | <input type="checkbox"/> <b>Tire Pressure Monitoring System (TPMS)</b><br><i>Prior to TPMS activation and Pre-Delivery Service (PDS) of the vehicle the TPMS light will blink when IG is turned on. After TPMS activation and PDS of the vehicle the TPMS light will illuminate for a few seconds and go off when IG is turned on.</i> |
| <input type="checkbox"/> <b>Audio/Video (if equipped)</b>  |  |
| <input type="checkbox"/> <b>Power Sliding Door (if equipped)</b>   |  |
| <input type="checkbox"/> <b>Convenience Memory Settings (if equipped)</b>  |  |
| <input type="checkbox"/> <b>Heated Seats (if equipped)</b>   |  |